

Double Ended Beam Load Cell



FEATURES

- Capacities: 1K to 75Klbs
- Environmental protection: IP67 (DIN 40.050)
- Material: stainless steel
- Center loaded design
- Welded covers for all capacities

OPTIONAL FEATURE

- FM certified versions are available for use in potentially explosive atmospheres

DESCRIPTION

The 9203 is a stainless steel Double Ended Shear Beam type load cell.

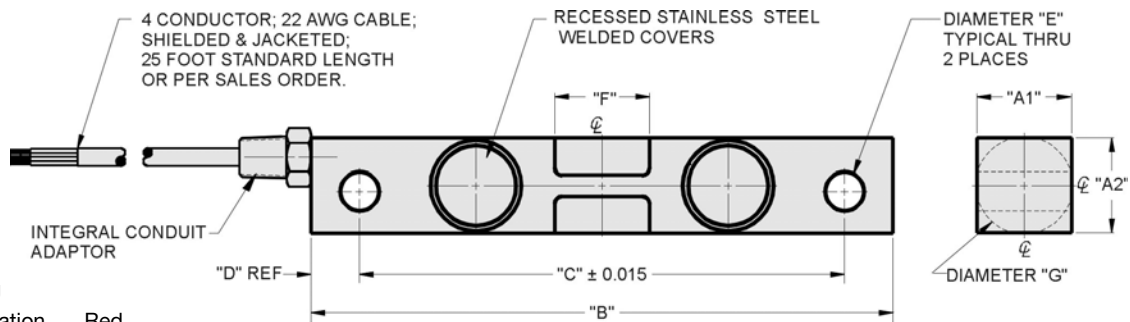
A reliable sealing and mechanical protection of the skin gage area is ensured by the use of potting compound with a metal cover.

The center loaded design results in minimal sensitivity to off-center forces.

APPLICATIONS

- Silo, tank, hopper weighing
- Custom system designs
- Low capacity vehicle scales

OUTLINE DIMENSIONS in inches



Wiring

+ Excitation	Red
- Excitation	Black
+ Output	Green
- Output	White

CAPACITY	A1	A2	B	C	D	E	F	G	THREAD
1K - 5K	1.22	1.22	7.50	6.25	0.62	0.50	1.12	1.25	1/4-18NPT
10K - 25K	1.44	1.94	8.75	7.50	0.62	0.81	1.62	1.99	1/4-18NPT
35K	1.44	2.44	8.75	7.50	0.62	0.81	1.62	2.50	1/4-18NPT
50K - 75K	2.44	2.94	13.50	11.50	1.00	1.31	3.25	2.99	1/2-14NPT

Capacities are in pounds.

SPECIFICATIONS		
PARAMETER	VALUE	UNIT
Standard capacities (E_{max})	1, 1.5, 2, 2.5, 5, 10, 15, 20, 25, 35, 50, 75	Klbs
Accuracy class	Non Approved - D3	
Rated output (=S)	3.0	mV/V
Rated output tolerance	0.008	±mV/V
Zero balance	1.0	±% FSO
Combined error	0.03	±% FSO
Creep error (20 minutes)	0.03	±% FSO
Temp. effect on min. dead load output	0.0015	±% FSO/5°C (°F)
Temperature effect on sensitivity	0.0008	±% FSO/5°C (°F)
Maximum safe over load	150	% E_{max}
Ultimate over load	300	% E_{max}
Maximum safe side load	100	% E_{max}
Excitation voltage	10	V
Maximum excitation voltage	15	V
Input resistance	700±14	Ω
Output resistance	703±4	Ω
Insulation resistance	≥1000	MΩ
Compensated temperature range	-10 to +40 (+14 to +104)	°C (°F)
Operating temperature range	-18 to +65 (0 to +150)	°C (°F)
Element material (DIN)	Stainless steel	
Sealing	IP67	

FSO - Full Scale Output

Disclaimer

All product specifications and data are subject to change without notice.

Vishay Precision Group, Inc., its affiliates, agents, and employees, and all persons acting on its or their behalf (collectively, "Vishay Precision Group"), disclaim any and all liability for any errors, inaccuracies or incompleteness contained herein or in any other disclosure relating to any product.

Vishay Precision Group disclaims any and all liability arising out of the use or application of any product described herein or of any information provided herein to the maximum extent permitted by law. The product specifications do not expand or otherwise modify Vishay Precision Group's terms and conditions of purchase, including but not limited to the warranty expressed therein, which apply to these products.

No license, express or implied, by estoppel or otherwise, to any intellectual property rights is granted by this document or by any conduct of Vishay Precision Group.

The products shown herein are not designed for use in medical, life-saving, or life-sustaining applications unless otherwise expressly indicated. Customers using or selling Vishay Precision Group products not expressly indicated for use in such applications do so entirely at their own risk and agree to fully indemnify Vishay Precision Group for any damages arising or resulting from such use or sale. Please contact authorized Vishay Precision Group personnel to obtain written terms and conditions regarding products designed for such applications.

Product names and markings noted herein may be trademarks of their respective owners.